

Spacecraft System Configuration

In this page information into the spacecraft's measures is provided. Two diagrams are presented up next. The first one correspond to the measures of the PocketQube before the LoRa antenna deployment and the second one corresponds to the measures after deployment. The figures correspond to the ^{Po}Cat 3 (K-Band) S/C:

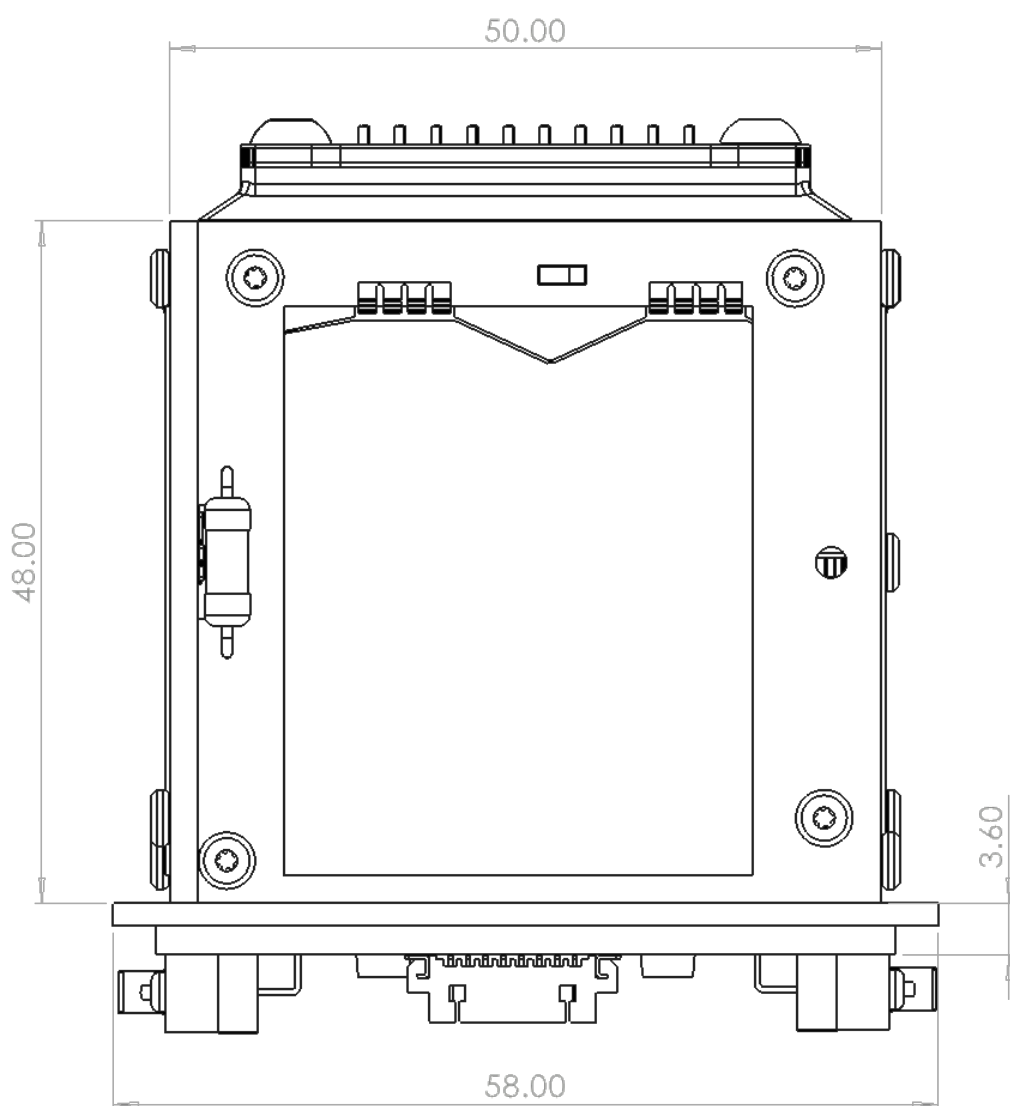


Figure 1.1: Stowed Configuration measures of ^{Po}Cat 3

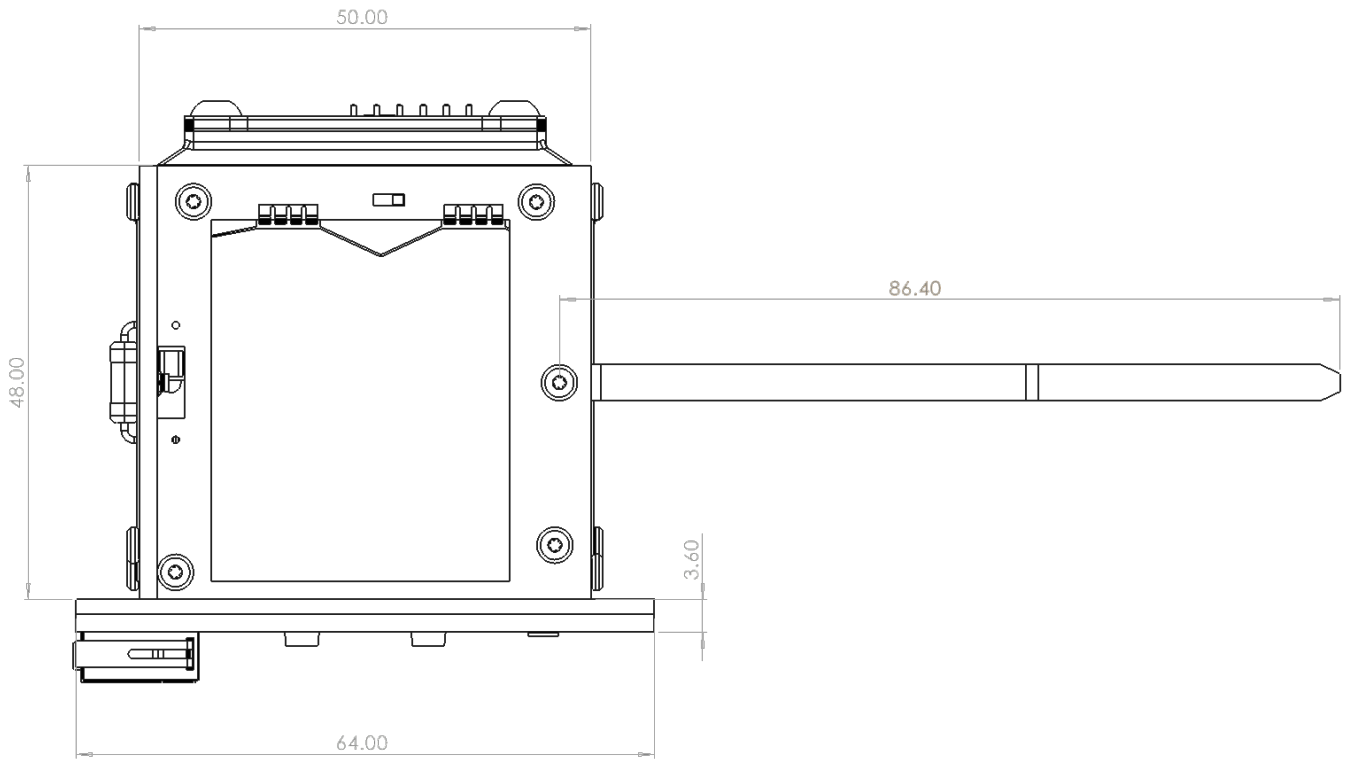


Figure 1.2: Deployed Configuration measures of ^{Po}Cat 3

The next diagram provides an annotated exploded view render of the ^{Po}Cat 3 spacecraft:

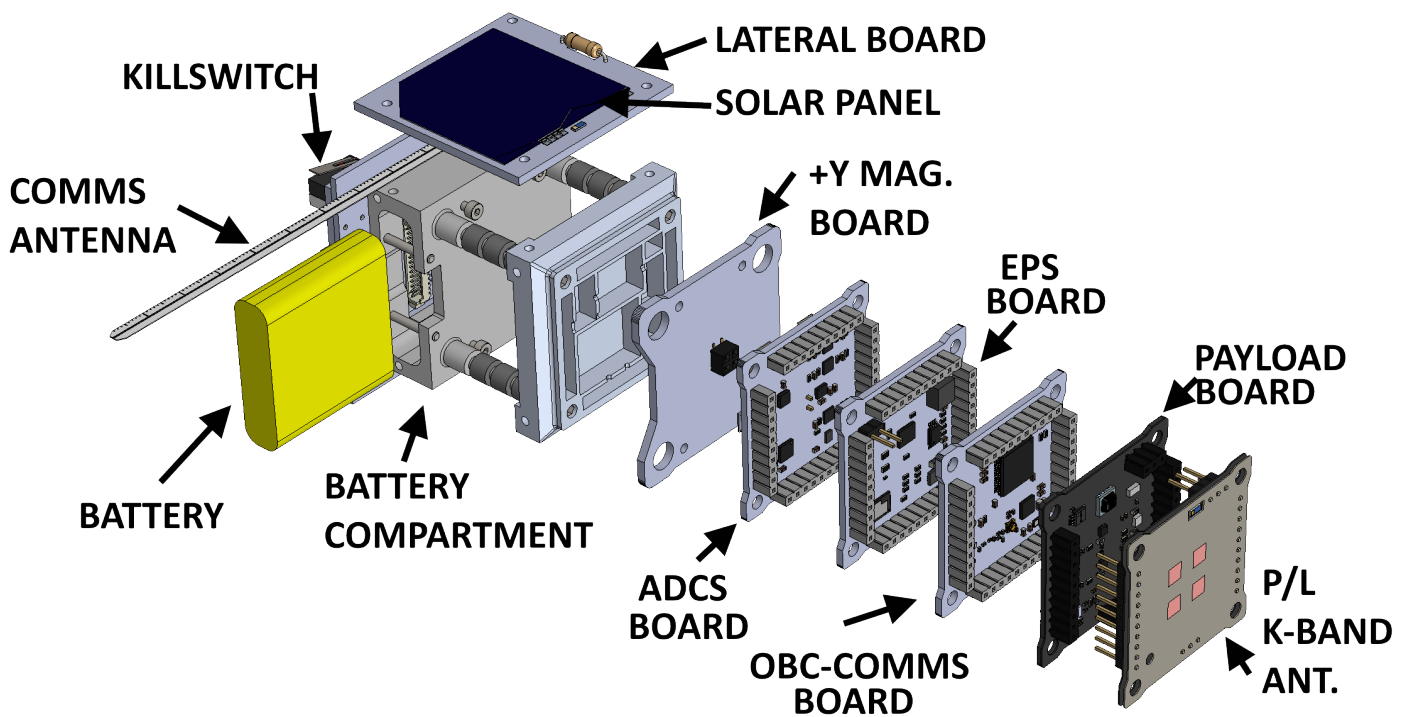


Figure 1.3: Annotated Exploded ^{Po}Cat 3 View

Updated 15 November 2024 17:50:14 by roger.almirall